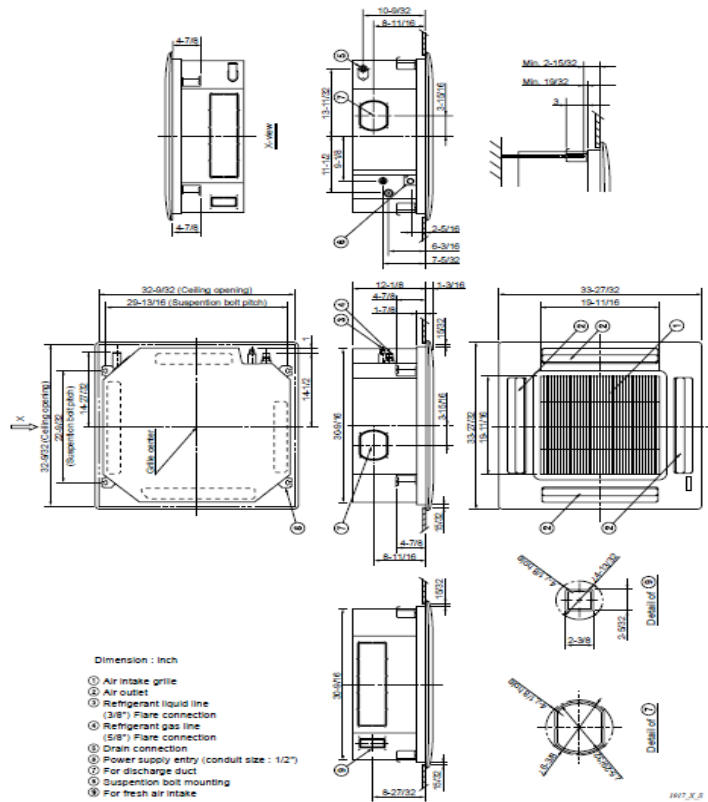


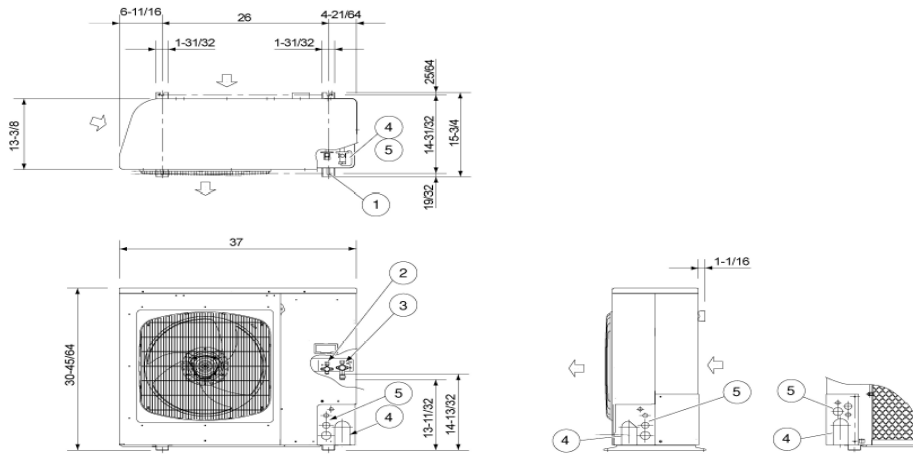
# Dimensional Data for 26XH72R

Indoor unit : XH2672R

Indoor unit : 4-Way Air Discharge Semi-concealed Type  
26 Type



## (B) Outdoor Unit: CH2672R, C2672R CH3072R, C3072R CH3672R, C3672R



①	Hole for anchor bolt (4-R6.5) / Anchor bolt: M10
②	Refrigerant tube joint (liquid line tube) • Flare connection 3/8 in (9.52 mm)
③	Refrigerant tube joint (gas line tube) • Flare connection 5/8 in (15.88 mm)
④	Refrigerant tubing inlet (knock-out hole)
⑤	Power supply inlet (knock-out hole $\phi 38, \phi 29, \phi 19, \phi 16$ mm)